

SECTION 00 91 10

ADDENDUM NUMBER 2

PARTICULARS

- 1.01 DATE: September 29,2023**
- 1.02 PROJECT: ERNEST KNIGHT LLC FIRE ALARM SYSTEM**
- 1.03 PROJECT NUMBER: 26236.0 DCM/BC NO. 2023632**
- 1.04 OWNER: ALABAMA A&M UNIVERSITY**
- 1.05 ARCHITECT: HYDE ENGINEERING, INC.**

TO PROSPECTIVE BIDDERS

- 2.01 THIS ADDENDUM FORMS A PART OF THE CONTRACT DOCUMENTS AND MODIFIES THE BIDDING DOCUMENTS DATED August 28, 2023, WITH AMENDMENTS AND ADDITIONS NOTED BELOW.**
- 2.02 ACKNOWLEDGE RECEIPT OF THIS ADDENDUM IN THE SPACE PROVIDED IN THE PROPOSAL FORM. FAILURE TO DO SO MAY DISQUALIFY THE BIDDER.**
- 2.03 THIS ADDENDUM CONSISTS OF 1 - 8.5x11 sheet and 4 full size sheets.**

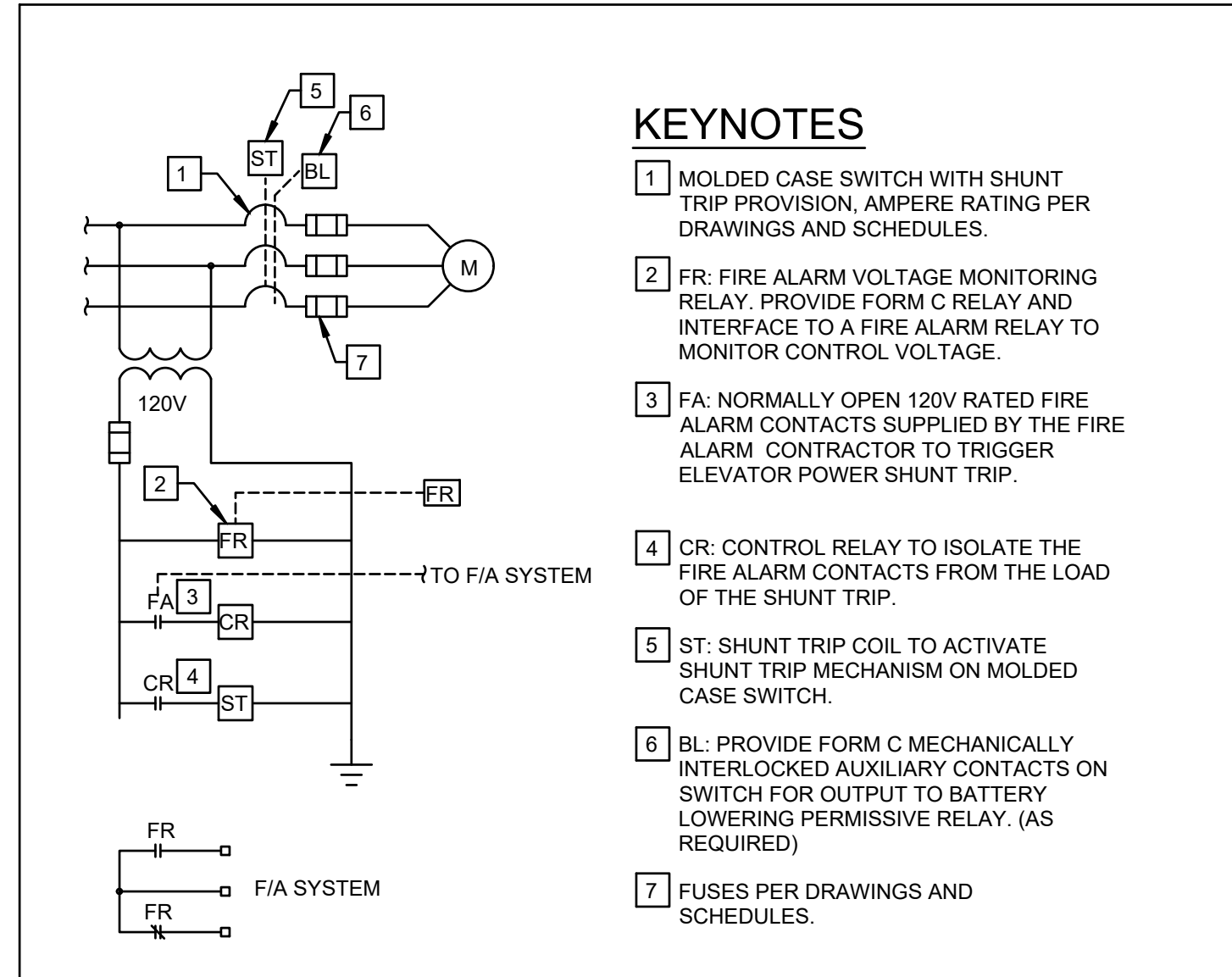
CHANGES TO THE DRAWINGS

- 4.01 SHEET E0.1 – LEGEND, NOTES, DETAILS, AND RISER**
 - A. Notes J and K were added under the special construction notes.
- 4.02 SHEET E2.4 – FIRST FLOOR PLAN – AREA D – FIRE ALARM**
 - A. Three carbon monoxide detectors were added along with a note 3 typical.
 - B. Note 3 was added to the plan.
- 4.03 SHEET E4.1 – THIRD, FOURTH, AND FIFTH FLOOR PLAN – AREA A – FIRE ALARM**
 - A. Note 6 was added to the plan.
- 4.04 SHEET E4.2 – THIRD, FOURTH, AND FIFTH FLOOR PLAN – AREA B – FIRE ALARM**
 - A. Note 6 was added to the plan.

END OF ADDENDUM NUMBER 2

FIRE ALARM	
[E]	FIRE ALARM SYSTEM: MANUAL PULL STATION WITH ALARMED COVER, MOUNT 4'-0" TO TOP OF BOX.
[FS]	FIRE ALARM SYSTEM: LOCAL ALARM AND SUPERVISORY PANEL.
[FA]	FIRE ALARM SYSTEM: ANNUNCIATOR
[S]	FIRE ALARM SYSTEM: SMOKE DETECTOR, SURFACE MOUNTED.
[T]	FIRE ALARM SYSTEM: AUTOMATIC FIRE DETECTOR, HIGH TEMPERATURE, 150 DEG. F. (THERMAL AND RATE OF RISE).
[D]	FIRE ALARM SYSTEM: SMOKE DETECTOR IN A/C DUCT WITH SAMPLING TUBES.
[S+ST]	FIRE ALARM SYSTEM: COMBINATION SPEAKER AND STROBE, CEILING MOUNTED
[S]	FIRE ALARM SYSTEM: SPEAKER BASE, LF SOUNDER, AND SMOKE DETECTOR, CEILING MOUNTED. CONTRACTOR MAY USE A LF SOUNDER/SMOKE BASE AND A SEPARATE SPEAKER.
[S+ST]	FIRE ALARM SYSTEM: SMOKE WITH STROBE
[S]	FIRE ALARM SYSTEM: STROBE
[A]	FIRE ALARM SYSTEM: (AUTOMATIC DOOR RELEASE)
[FACP]	FIRE ALARM SYSTEM: CONTROL PANEL, (SURFACE) MOUNTED.
[FS]	FIRE ALARM SYSTEM: FLOW SWITCH CONNECTION
[SV]	FIRE ALARM SYSTEM: SUPERVISORY VALVE CONNECTION
[S]	FIRE ALARM SYSTEM: CEILING MOUNTED SPEAKER
[FP]	FIRE ALARM SYSTEM: FIREFIGHTER'S TWO-WAY COMMUNICATION PANEL
[NAC]	FIRE ALARM SYSTEM: NAC PANEL
[LFS]	FIRE ALARM SYSTEM: COMBINATION LOW FREQUENCY SOUNDER & STROBE, MOUNT 80" A.F.F.

ABBREVIATIONS			
A	ABOVE COUNTER	IG	ISOLATED GROUND
AFG	ABOVE FINISH GRADE	NL	NIGHT LIGHT
AFB	ABOVE FINISH FLOOR	MCB	MAIN CIRCUIT BREAKER
AIC	AVAILABLE INTERRUPT CURRENT	MLO	MAIN LUGS ONLY
AL	ALUMINUM	RR	REMOVE AND REPLACE WITH NEW
AWG	AMERICAN WIRE GAUGE	TBB	TELEPHONE BACK BOARD
C	CONDUIT RACEWAY	TP	TAMPER PROOF
CB	CIRCUIT BREAKER	TV	TELEVISION
CJ	COPPER	TYP	TYPICAL
DISC	DISCONNECT	UC	UNDER COUNTER
EM	EMERGENCY	UG	UNDER GROUND
EMT	ELECTRICAL METALLIC TUBING	WAP	WIRELESS ACCESS POINT
EP	EXPLOSION PROOF	WP	WEATHERPROOF, NEMA 3R
EX	EXISTING	XR	EXISTING - REMOVE
F	FUSE	XRR	EXISTING - REMOVE AND RELOCATE
G, GRD	GROUND	XRL	EXISTING - RELOCATED
GFI	GROUND FAULT INTERRUPTING		



- KEYNOTES**
- MOLDED CASE SWITCH WITH SHUNT TRIP PROVISION, AMPERE RATING PER DRAWINGS AND SCHEDULES.
 - FR: FIRE ALARM VOLTAGE MONITORING RELAY. PROVIDE FORM C RELAY AND INTERFACE TO A FIRE ALARM RELAY TO MONITOR CONTROL VOLTAGE.
 - FA: NORMALLY OPEN 120V RATED FIRE ALARM CONTACTS SUPPLIED BY THE FIRE ALARM CONTRACTOR TO TRIGGER ELEVATOR POWER SHUNT TRIP.
 - CR: CONTROL RELAY TO ISOLATE THE FIRE ALARM CONTACTS FROM THE LOAD OF THE SHUNT TRIP.
 - ST: SHUNT TRIP COIL TO ACTIVATE SHUNT TRIP MECHANISM ON MOLDED CASE SWITCH.
 - BL: PROVIDE FORM C MECHANICALLY INTERLOCKED AUXILIARY CONTACTS ON SWITCH FOR OUTPUT TO BATTERY LOWERING PERMISSIVE RELAY. (AS REQUIRED)
 - FUSES PER DRAWINGS AND SCHEDULES.

ELEVATOR FIRE SAFETY INTERFACE
NO SCALE

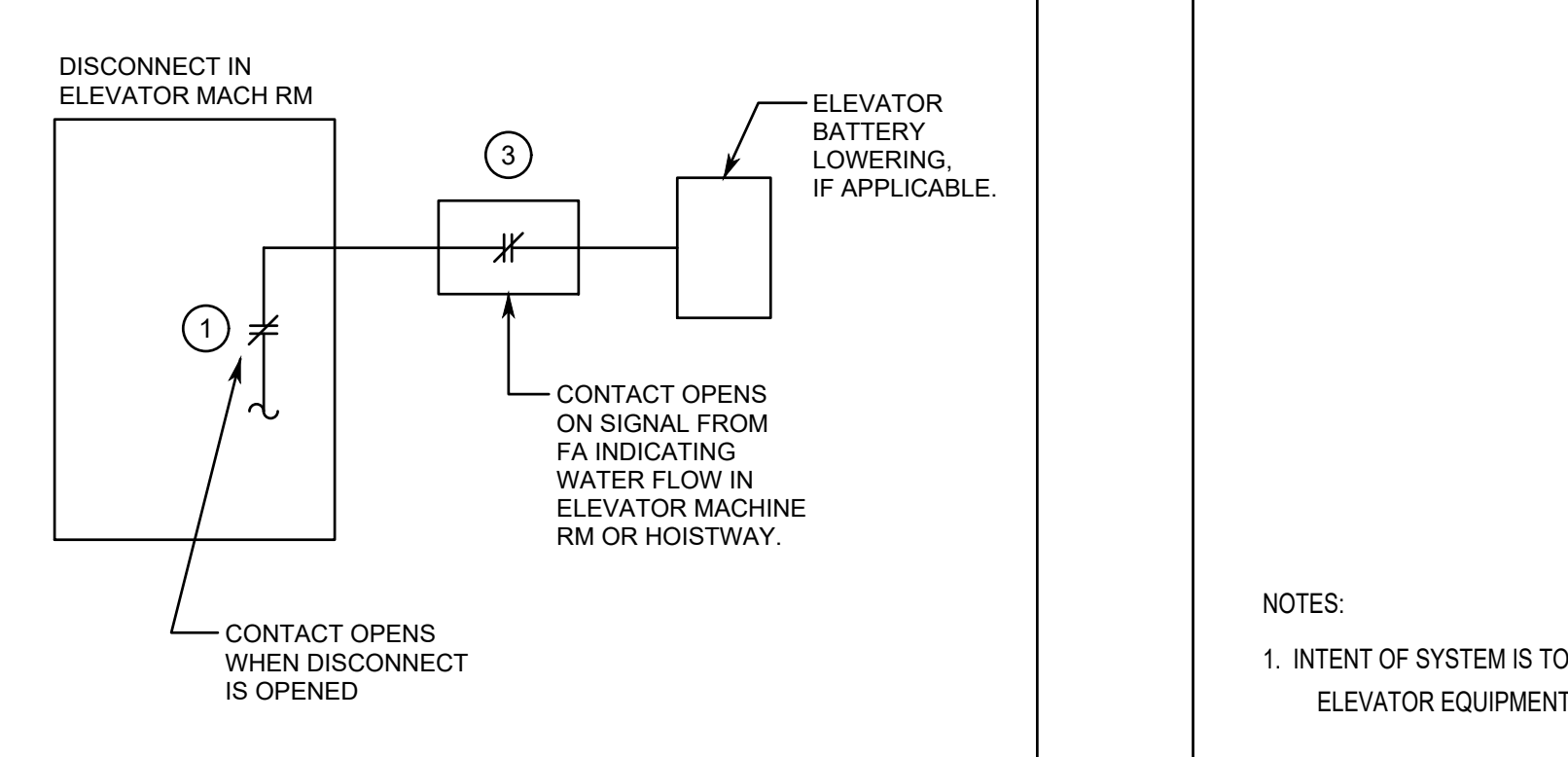
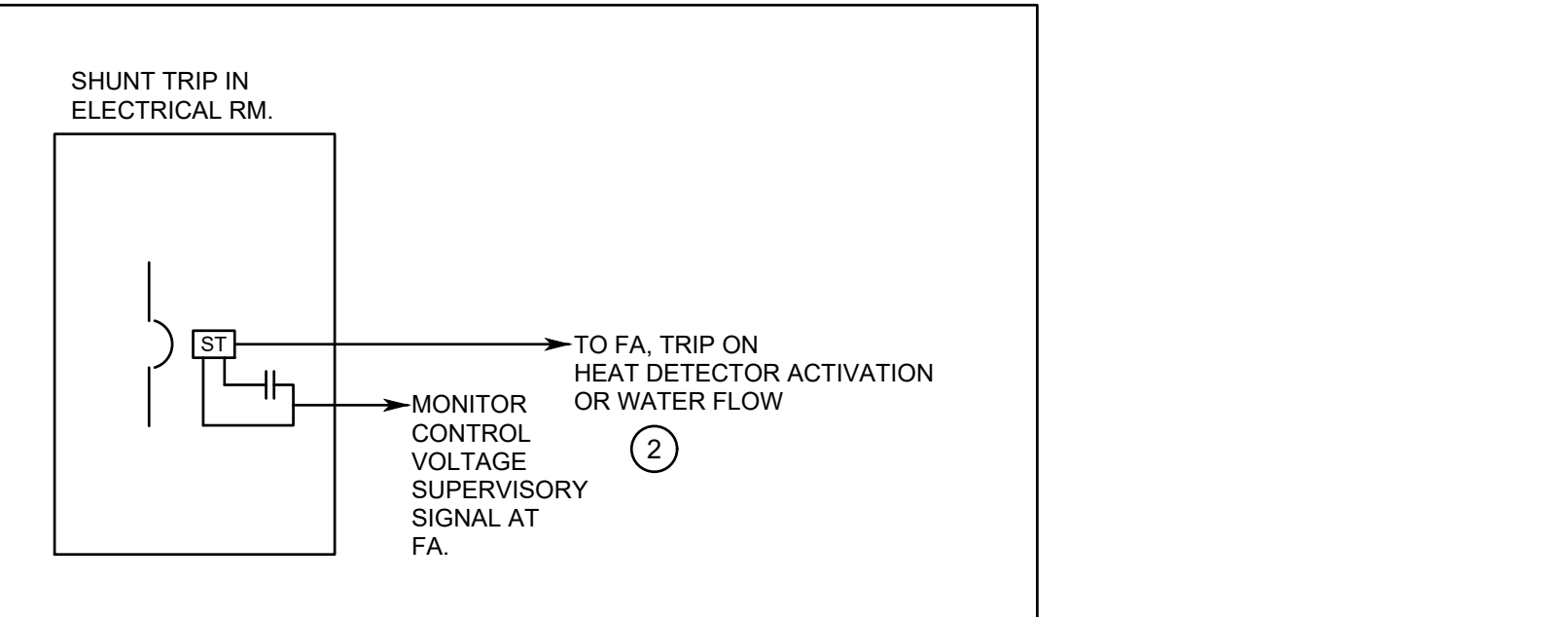
NOTES

- ALL ELECTRICAL WORK SHALL BE DONE IN ACCORDANCE WITH THE 2020 NATIONAL ELECTRICAL CODE AND LOCAL ORDINANCES. CONTRACTOR SHALL OBTAIN AND PAY FOR ALL NECESSARY PERMITS.
- CONTRACTOR SHALL VISIT THE SITE AND FAMILIARIZE HIMSELF WITH ALL DETAILS OF THE WORK AND ALL EXISTING FIELD CONDITIONS.
- CONTRACTOR SHALL PROVIDE A COMPLETE ELECTRICAL INSTALLATION INCLUDING ALL WORK CUSTOMARILY INCLUDED EVEN IF NOT SPECIFICALLY CALLED OUT.
- SHOULD THE CONTRACTOR FIND DISCREPANCIES OR OMISSIONS IN THE CONTRACT DOCUMENTS OR BE IN DOUBT AS TO INTENT, HE SHALL IMMEDIATELY OBTAIN CLARIFICATION FROM THE ARCHITECT OR ENGINEER.
- THE ELECTRICAL DRAWINGS ARE SCHEMATIC AND ARE NOT INTENDED TO SHOW THE EXACT LOCATION OF CONDUITS, OUTLETS, ETC. THE CONTRACTOR SHALL REFER TO ARCHITECTURAL, MECHANICAL, AND PLUMBING DRAWINGS AND SHALL FIT HIS WORK TO CONFORM WITH THE BUILDING CONSTRUCTION AND WITH THE OTHER TRADES.
- ATTENTION IS CALLED TO THE FACT THAT THIS IS A RENOVATION OF AN EXISTING BUILDING. WHEN THE WORK IS FINISHED, THE ELECTRICAL SHALL BE COMPLETE IN EVERY RESPECT, COMPLETELY INTEGRATED WITH ALL THE EXISTING ELECTRICAL SYSTEMS. ELECTRICAL SERVICE TO THE EXISTING BUILDING SHALL NOT BE INTERRUPTED AT ANY TIME. PROVIDE ALL THE NECESSARY TIES AND TEMPORARY SERVICE TO ACHIEVE THIS CONDITION.
- SHOULD ANY ELECTRICAL POWER, LIGHT OR AUXILIARY, CIRCUITS, FEEDERS OR EQUIPMENT BE SEVERED, DISCONNECTED OR DELETED IN THE PROCESS OF CONSTRUCTION OR REMODELING WHICH IS NOTED A RESULT OF CONTRACT PLANS AND SPECIFICATIONS, AND UNLESS IT IS SPECIFICALLY DESIGNATED BY THE DRAWINGS TO BE DELETED, THEN SAID CIRCUIT OR FEEDER SHALL BE RESTORED TO FIRST CLASS WORKING CONDITION. THE RESTORATION SHALL INCLUDE ANY RE-ROUTING, RELOCATIONS OR REPLACEMENT AS MAY BE NECESSITATED BY THE ARCHITECTURAL AND STRUCTURAL CONSTRUCTION. ANY SUCH WORK REQUIRED SHALL BE INCLUDED IN THE ELECTRICAL CONTRACT AND NO EXTRA COMPENSATION WILL BE GRANTED.
- THE ELECTRICAL CONTRACTOR SHALL DO ALL CUTTING, PATCHING AND REPAIRING REQUIRED TO DO THIS WORK. REPAIRING OF WORK SHALL BE COMPARABLE TO WORK CUT. PAINT TO MATCH ADJACENT SURFACES OR AS DIRECTED BY ARCHITECT. COORDINATE WITH GENERAL CONTRACTOR.
- ALL CONDUITS CROSSING EXPANSION JOINTS SHALL HAVE EXPANSION TYPE FITTINGS.
- THE ATTACHED DRAWINGS WERE DEVELOPED FROM RECORD DRAWINGS AND INFORMATION PROVIDED BY OTHERS WHICH MAY NOT REFLECT ACTUAL FIELD CONDITIONS. THE CONTRACTOR SHALL VERIFY ALL CONDITIONS IN THE FIELD BEFORE PROCEEDING WITH SUBSEQUENT WORK. THE DESIGN TEAM SHALL BE NOTIFIED OF ANY DISCREPANCIES OR CONFLICTS WITH DRAWINGS FOR CLARIFICATION PRIOR TO PROCEEDING WITH WORK.
- FIRE ALARM CONTRACTOR SHALL BE NICET LEVEL III CERTIFIED MINIMUM AND BE LICENSED BY THE STATE FIRE MARSHALL'S OFFICE.

SPECIAL CONSTRUCTION NOTES

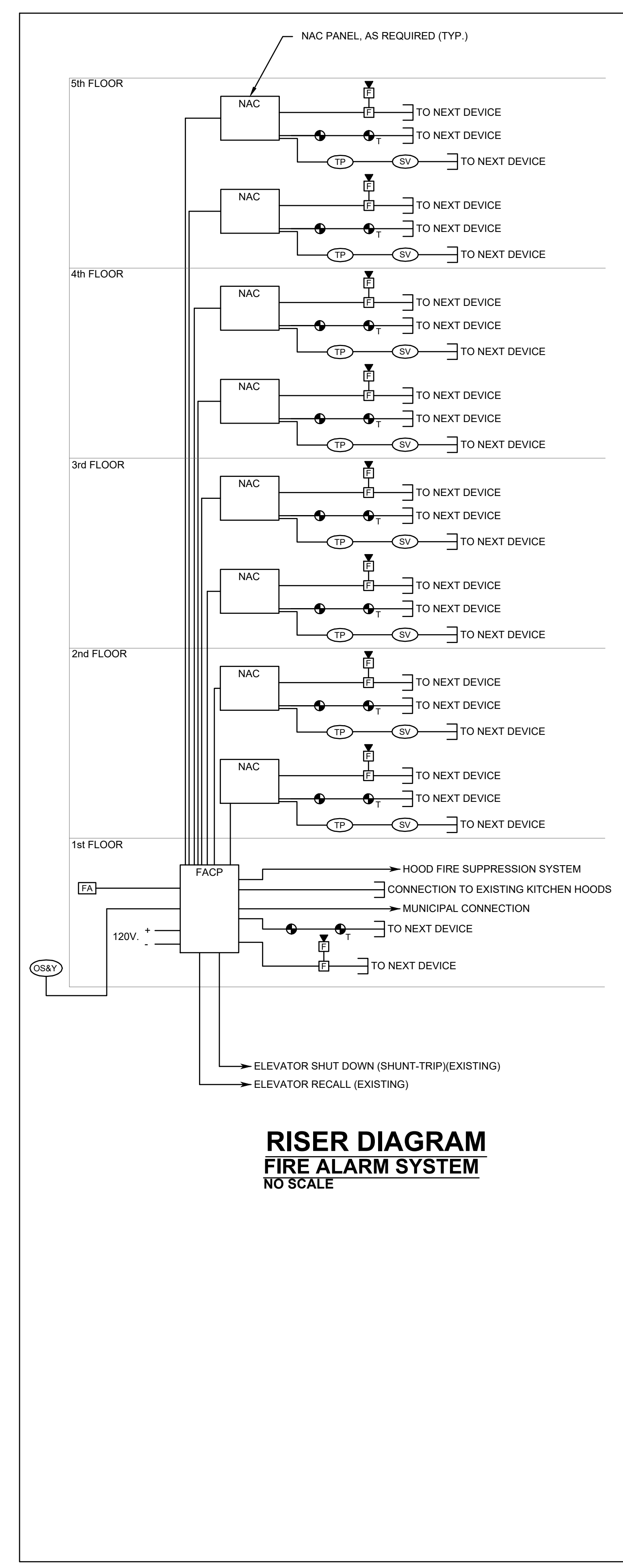
- EXISTING FIRE ALARM SYSTEM SHALL REMAIN OPERATIONAL AT ALL TIMES. IF SYSTEM IS DOWN CONTRACTOR SHALL CONDUCT A FIRE WATCH. FIRE WATCH SHALL BE COORDINATED AND SCHEDULED WITH THE LOCAL FIRE MARSHALL.
- ONCE THE NEW SYSTEM IS ONLINE THE ENTIRE OLD SYSTEM SHALL BE REMOVED IN ITS ENTIRETY. THIS INCLUDES ALL CABLING, NAC PANELS, DEVICES, AND CONTROL PANEL.
- CONTRACTOR SHALL REFERENCE SPECIFICATION SECTION 01-10-00 SUMMARY FOR WORK ITEMS.
 - DECEMBER 2023 - NOTICE TO PROCEED. CONTRACTOR MAY BEGIN WORK IN COMMON AREAS AND ALL CORRIDORS. BUILDING WILL BE OCCUPIED. NO DORM ROOM WORK PRIOR TO MAY 2024.
 - MAY 4, 2024 TO JULY 31ST 2024 - DORM ROOMS AND KITCHEN WILL BE UNOCCUPIED OTHER AREAS REMAIN OPERATIONAL AND OCCUPIED. ALL DORM ROOM NEW WORK AND DEMOLITION WORK TO BE COMPLETED DURING THIS TIME.
 - JULY 31ST, 2024 - SUBSTANTIAL COMPLETION, NEW SYSTEM IS ONLINE.
 - AUGUST 9, 2024 - ALL DEMO OF EXISTING SYSTEM TO BE COMPLETE AND PROJECT IS 100% COMPLETE.
- NEW FIRE ALARM SYSTEM IS TO BE INSTALLED AND 100% OPERATIONAL PRIOR TO DEMOLITION OF OLD SYSTEM.
- SOME AREAS OF THE BUILDING WILL BE OCCUPIED AND OPERATIONAL FOR THE DURATION OF THE PROJECT.
- CONTRACTOR SHALL PATCH THE WALL AND REPAINT WHERE THE EXISTING FIRE ALARM CONTROL PANEL WAS LOCATED UPON REMOVAL.
- CONTRACTOR SHALL FURNISH AND INSTALL BLANK PLATES ON ALL EXISTING BOXES AFTER REMOVAL OF OLD SYSTEM DEVICES. BLANK PLATES SHALL BE PAINTED TO MATCH ADJACENT SURFACE.
- CONTRACTOR IS ADVISED THAT THIS BUILDING WILL BE OCCUPIED WITH BOTH MEN AND WOMEN STUDENTS DURING CONSTRUCTION. THE CONTRACTOR SHALL REFRAIN FROM INTERACTING WITH ANY OF THE STUDENTS DURING CONSTRUCTION. ANY PROBLEMS SHALL BE REPORTED TO THE OWNER AND ENGINEER.
- CONTRACTOR MAY ROUTE FIRE ALARM CABLING ABOVE THE LAY-IN CEILING USING J-HOOKS ALONG CORRIDORS AND WHERE LAY-IN CEILING EXISTS. CONTRACTOR SHALL USE WIREMOLD ON CEILINGS OF DORM ROOMS AND CONDUIT IN OPEN SPACES. ANY CEILING TILES BROKEN SHALL BE REPLACED WITH LIKE TYPE BY CONTRACTOR. WIREMOLD SHALL BE MINIMUM OF 700 SERIES OR SIZE REQUIRED FOR THE NUMBER OF CABLES.
- ALL FIRE ALARM CIRCUIT BREAKERS SHALL BE IDENTIFIED AS "FIRE ALARM CIRCUIT", RED IN COLOR, AND HAVE A LOCK ON DEVICE. CIRCUIT SHALL FOLLOW ALL REQUIREMENTS OF NEC(2020) 760.121(B).
- DURING CONSTRUCTION AND DEMOLITION FIRE SAFETY PRECAUTIONS PER IFC CHAPTER 33 SECTIONS 3301 SHALL BE FOLLOWED AT ALL TIMES.

DO NOT SCALE DIMENSIONS FROM DRAWINGS. CONSULT OWNER/ARCHITECT FOR EXACT DIMENSIONAL DATA.



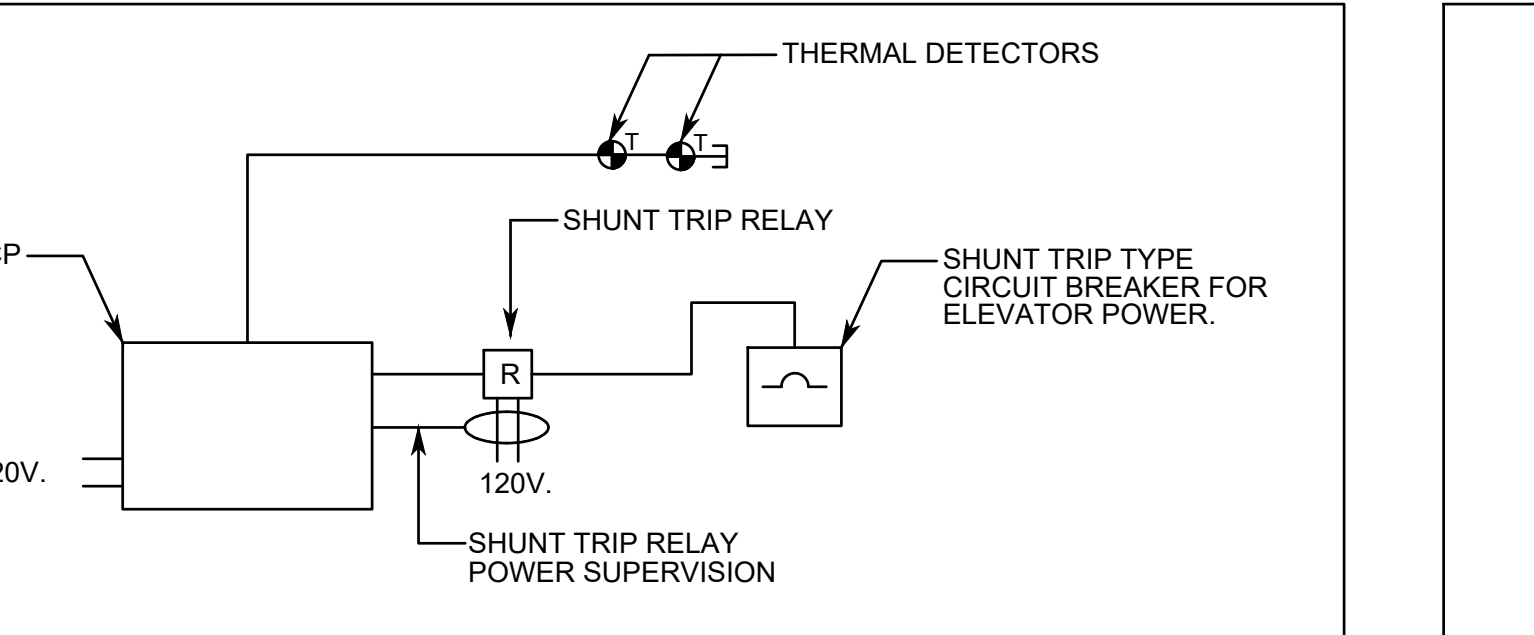
- NEC 620.91 (2011)
- NFPA 6.16.4.4 (2007)
- ANSI 17.1.2.8.3.3.2

DETAIL ELEVATOR SHUNT-TRIP
NO SCALE



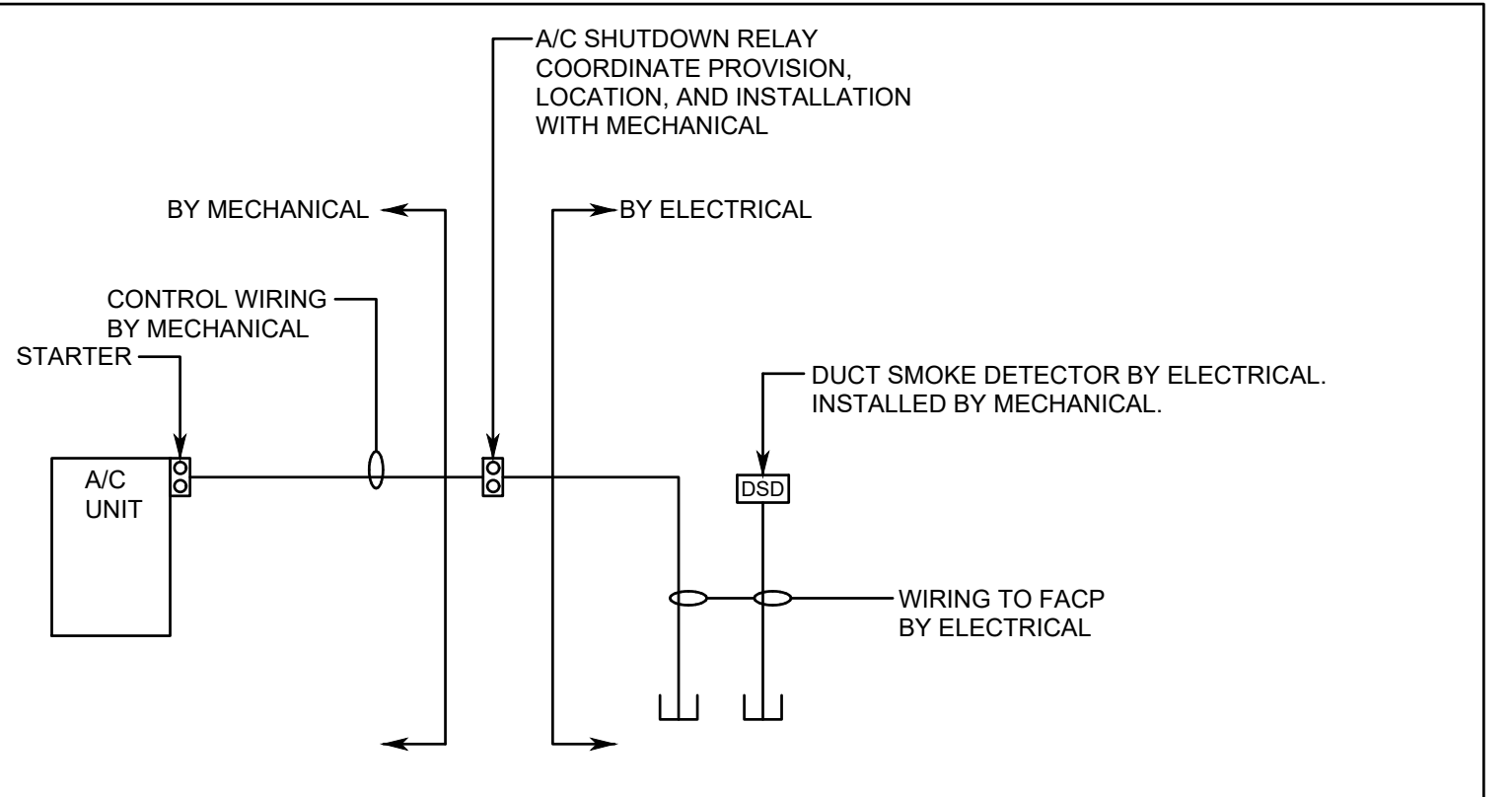
RISER DIAGRAM FIRE ALARM SYSTEM
NO SCALE

- NOTES:**
- PROVIDE WIRING IN CONDUIT WHERE EXPOSED. USE J-HOOKS ABOVE ACCESSIBLE CEILINGS.
 - SEE FLOOR PLAN FOR LOCATION AND QUANTITY OF DEVICES.
 - FIRE ALARM SYSTEM LAYOUT IS DIAGRAMMATIC ONLY. PROVIDE ADDITIONAL DEVICES AS REQUIRED BY CODE AND LOCAL AUTHORITIES.
 - COORDINATE LOCATIONS AND CONNECTIONS OF HVAC SHUTDOWN RELAYS WITH HVAC/CONTROLS VENDOR.
 - PROVIDE ADDRESSABLE SYSTEM.
 - PROVIDE FOR 15% GROWTH.
 - IF NOT SHOWN ON FLOOR PLANS PROVIDE 120V. CIRCUIT FOR FACP POWER. SEE NOTE 17.
 - PROVIDE TERMINAL CABINETS, NAC PANELS AS REQUIRED PER PROPOSED FIRE ALARM SYSTEM.
 - IF NOT SHOWN ON FLOOR PLAN, PROVIDE POWER TO NAC PANELS FROM FLOOR RECEPTACLE PANEL (AS REQUIRED). SEE NOTE 17.
 - PROVIDE REMOTE STATUS & TEST LOCATION FOR DEVICES NOT READILY VISIBLE OR ACCESSIBLE.
 - INTERFACE TO SECURITY SYSTEM. PROVIDE DRY CONTACT CLOSURE. PROVIDE CABLING IN CONDUIT.
 - ON ALARM, ALL DOORS IN EGRESS PATH TO UNLOCK.
 - PROVIDE SMOKE DETECTORS AND INTERFACE TO SMOKE/FIRE DAMPERS AND SMOKE DAMPERS.
 - VERIFY FINISH OF ALL FIRE ALARM DEVICES WITH ARCHITECT PRIOR TO ORDERING. NOTIFICATION DEVICES ARE TO BE WHITE. PULL STATIONS ARE TO BE RED. SMOKE AND HEAT DETECTORS ARE TO BE WHITE.
 - ALL PULL STATIONS ARE TO HAVE ALARMED COVER WITH HORN.
 - FA CONTRACTOR TO VERIFY DECIBEL LEVEL IN ASSEMBLY TYPE SPACES LIKE DINING AND BALL ROOM. ADD ADDITIONAL SPEAKERS AS REQUIRED.
 - NEW POWER CIRCUITS FOR NAC PANELS AND FIRE ALARM CONTROL PANEL SHALL BE ROUTED TO THE NEAREST ELECTRICAL PANEL SHOWN, 2#12, 1#12G-1/2C. (SEE E2.1 - E4.2 FOR PANEL LOCATIONS.) ALL PANELS ARE SQUARE D, NQOOD TYPE, 10 KAIC RATED. NEW BREAKERS SHOULD BE 20/1, 10 KAIC RATED. CONTRACTOR MAY USE MC CABLE WHERE CONCEALED ABOVE CEILING.
 - RECONNECT EXISTING ELEVATOR SHUNT TRIP CONNECTIONS TO NEW FIRE ALARM SYSTEM.
 - KNOWN DUCT DETECTORS ARE SHOWN. CONTRACTOR SHALL FURNISH AND INSTALL DUCT DETECTORS FOR ANY UNITS OVER 2000 CFM AND FOR UNITS SERVING EXIT CORRIDORS.
 - CONNECT FIRE ALARM SYSTEM TO PHONE LINE AND DIALER AS REQUIRED.
 - PROVIDE CONNECTION FOR TAMPER FLOW SWITCHES AND OS&Y VALVE. DEVICES ARE EXISTING. VERIFY EXACT LOCATIONS IN FIELD.
 - PROVIDE INTERFACE TO ELEVATOR RECALL SYSTEM.
 - PROVIDE SHUTDOWN OF ELEVATOR ON ACTIVATION OF SPRINKLERS.
 - ACTIVATION OF KITCHEN HOOD FIRE SUPPRESSION SYSTEM SHALL TRIP BREAKERS FOR ALL EQUIPMENT UNDER HOOD INCLUDING LIGHTS AND SUPPLY FAN.
 - ANY DETECTOR ACTIVATION IN EACH DORM SUITE WILL ACTIVATE ALL SOUNDERS/SPEAKERS WITHIN THAT SUITE AND REPORT A SUPERVISORY SIGNAL TO THE MAIN PANEL.
 - SOUNDERS/SPEAKERS SHALL ACTIVATE DURING BUILDING GENERAL ALARM.
 - WHEN A SMOKE WITHIN A DORM SUITE IS ACTIVATED, IT SHALL INITIATE A LOCAL ALARM WITHIN THE SUITE, AND NOTIFY THE FACP AND ANNUNCIATOR AS A SUPERVISORY CONDITION. IF 2 OR MORE SMOKES WITHIN ONE SUITE ACTIVATE, IT SHALL ALARM LOCALLY AND SET OFF ENTIRE FIRE ALARM SYSTEM AND TRANSMIT FIRE ALARM SIGNAL TO MONITORING COMPANY. SMOKE DETECTORS WITHIN SUITES SHALL BE INTERCONNECTED.



- NOTES:**
- INTENT OF SYSTEM IS TO PROVIDE SHUT-DOWN/RECALL OF ELEVATOR PRIOR TO WATER APPLICATION FROM SPRINKLERS ON ELEVATOR EQUIPMENT AND BRAKES, PER NFPA 72 3.4.4.
 - THERMAL DETECTORS SHALL HAVE BOTH A LOWER TEMPERATURE RATING AND HIGHER SENSITIVITY COMPARED TO THE SPRINKLER. THERMAL DETECTORS SHALL BE LOCATED WITHIN 2 FEET OF EACH SPRINKLER HEAD. PROVIDE NUMBER OF DETECTORS TO MATCH NUMBER OF SPRINKLER HEADS IN ELEVATOR MACHINE ROOM AND HOISTWAY.
 - SHUNT TRIP RELAY POWER TO BE SUPERVISED BY ELEVATOR RECALL CONTROL AND SUPERVISORY PANEL.
 - ELEVATOR EQUIPMENT SHALL USE SHUNT-TRIP TYPE CIRCUIT BREAKER.
 - COORDINATE ALL WORK WITH SPRINKLER AND ELEVATOR VENDORS.

SPRINKLER INITIATED ELEVATOR SHUT DOWN DETAIL
NO SCALE



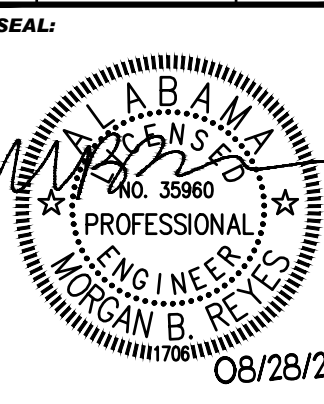
DUCT SMOKE DETECTOR CONNECTION DETAIL
NO SCALE



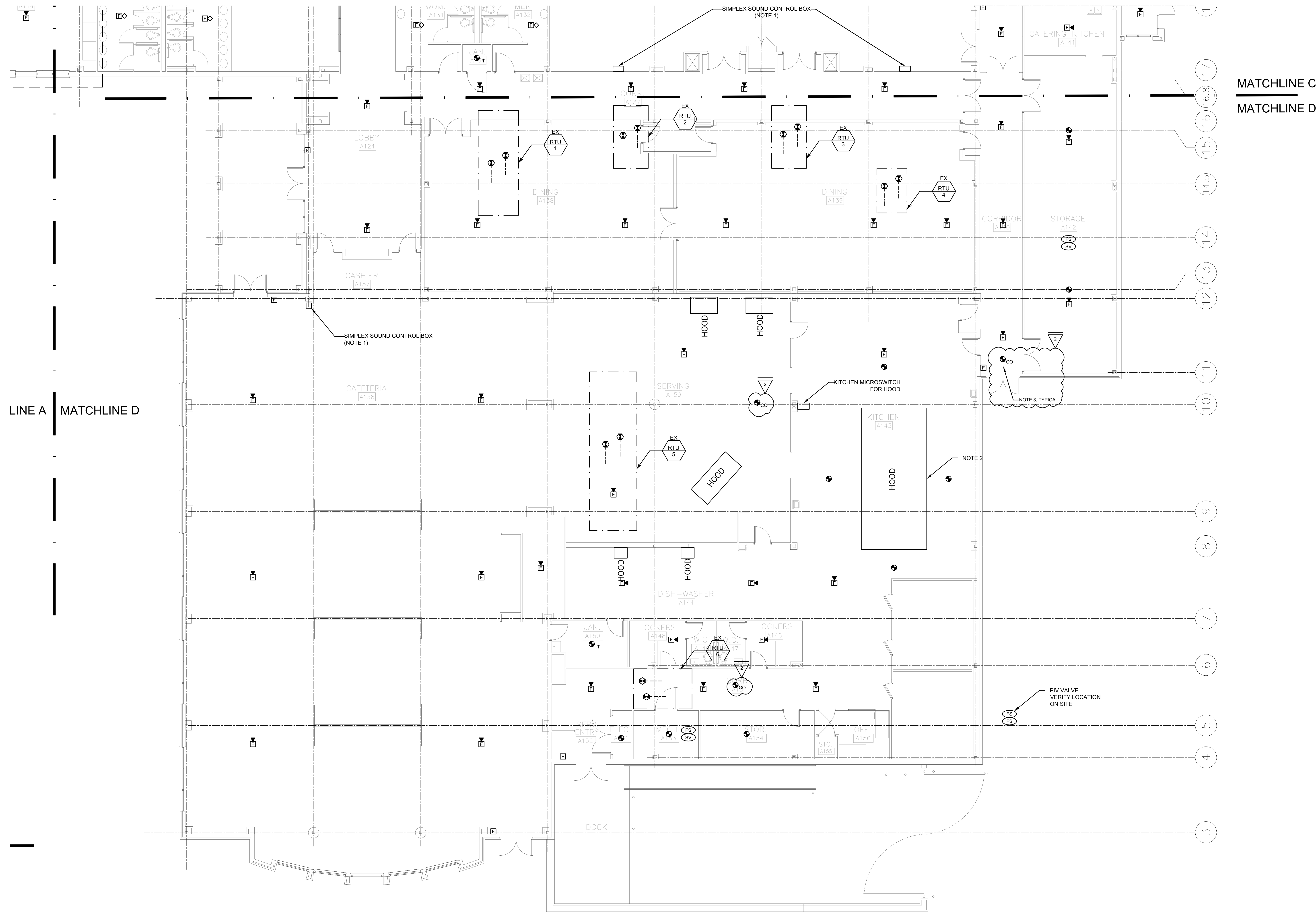
Hyde Engineering, Inc.
1525 Piedmont Parkway Suite 2715 • Huntsville, AL 35801
(256) 270-8013 • FAX (256) 962-9911 • info@hyde-eng.com

NEW FIRE ALARM SYSTEM FOR ERNEST KNIGHT LIVING AND LEARNING COMPLEX
ALABAMA A&M UNIVERSITY

NO.	REVISION	DATE
1	ADDENDUM #1	09/22/23
2	ADDENDUM #2	09/29/23



DATE:	09/29/2023
JOB NUMBER:	26236.0
DRAWN BY:	BR
CHECKED BY:	MBR
DRAWING TITLE:	LEGEND, NOTES, DETAILS AND RISER
DRAWING NO.:	E0.1

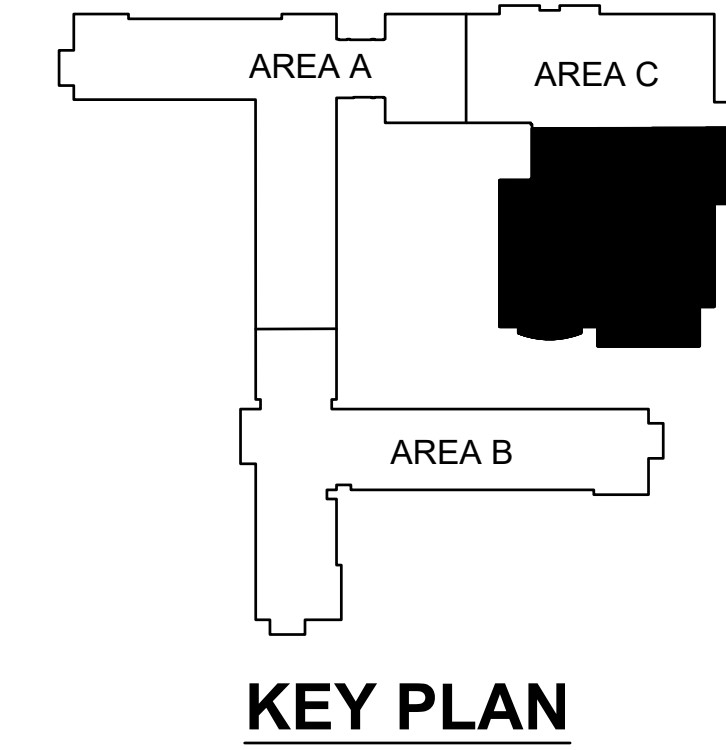


LINE A MATCHLINE D

MATCHLINE C
MATCHLINE D

FIRST FLOOR PLAN - AREA D
FIRE ALARM
SCALE 1/8"=1'0"

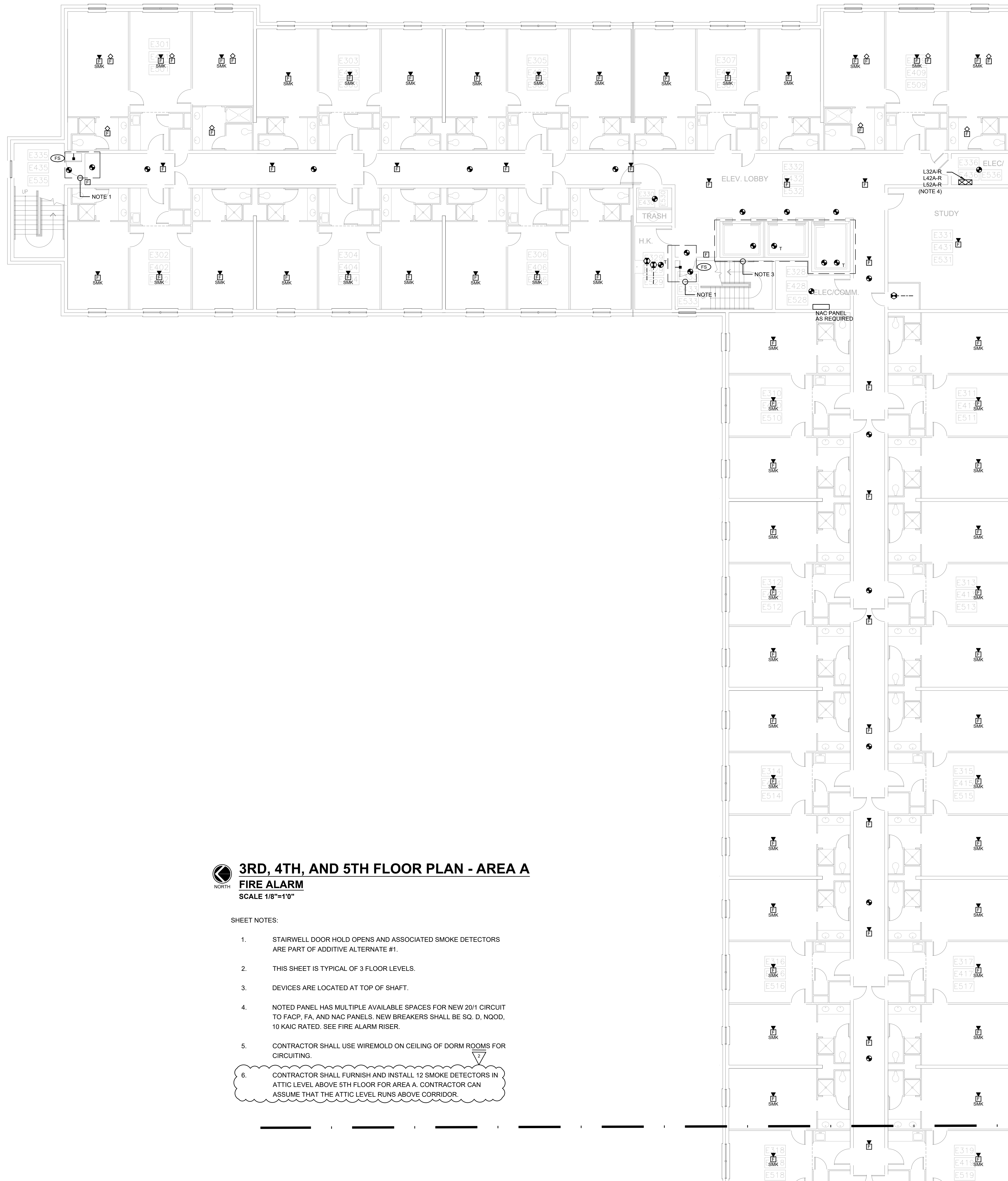
- SHEET NOTES:
1. RECONNECT EXISTING SOUND CONTROL BOX TO FIRE ALARM SYSTEM AS REQUIRED.
 2. CONNECT EXISTING HOODS TO FIRE ALARM SYSTEM AS REQUIRED.
 3. CARBON MONOXIDE DETECTOR, FURNISH, INSTALL, AND CONNECT TO FIRE ALARM SYSTEM.



NEW FIRE ALARM SYSTEM FOR ERNEST KNIGHT LIVING AND LEARNING COMPLEX
ALABAMA A&M UNIVERSITY

NO.	REVISION	DATE
1	ADDENDUM #2	09/29/23

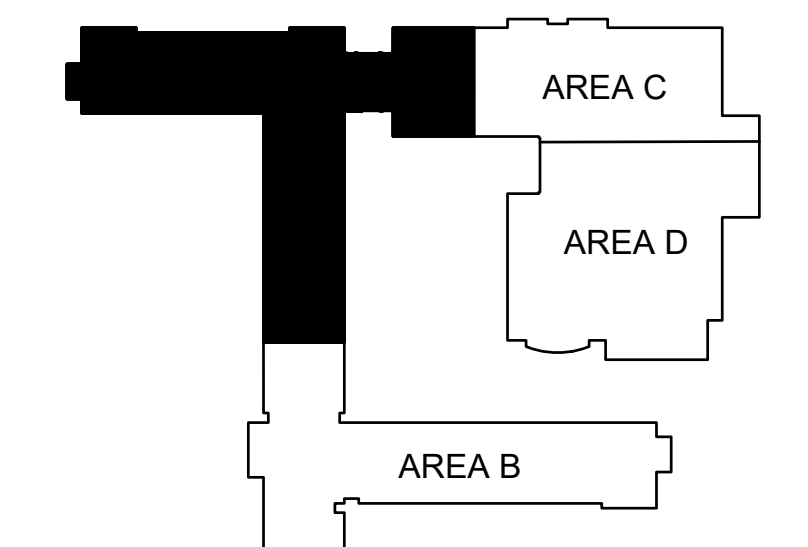
DATE:	09/29/23
JOB NUMBER:	26236.0
DRAWN BY:	BR
CHECKED BY:	MBR
DRAWING TITLE:	FIRST FLOOR PLAN - AREA D - FIRE ALARM
DRAWING NO.:	E2.4



3RD, 4TH, AND 5TH FLOOR PLAN - AREA A
FIRE ALARM
 SCALE 1/8"=1'0"

SHEET NOTES:

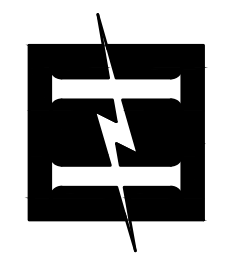
1. STAIRWELL DOOR HOLD OPENS AND ASSOCIATED SMOKE DETECTORS ARE PART OF ADDITIVE ALTERNATE #1.
2. THIS SHEET IS TYPICAL OF 3 FLOOR LEVELS.
3. DEVICES ARE LOCATED AT TOP OF SHAFT.
4. NOTED PANEL HAS MULTIPLE AVAILABLE SPACES FOR NEW 20/1 CIRCUIT TO FACP, FA, AND NAC PANELS. NEW BREAKERS SHALL BE SQ. D. NOOD, 10 KAIC RATED. SEE FIRE ALARM RISER.
5. CONTRACTOR SHALL USE WIREMOLD ON CEILING OF DORM ROOMS FOR CIRCUITING.
6. CONTRACTOR SHALL FURNISH AND INSTALL 12 SMOKE DETECTORS IN ATTIC LEVEL ABOVE 5TH FLOOR FOR AREA A. CONTRACTOR CAN ASSUME THAT THE ATTIC LEVEL RUNS ABOVE CORRIDOR.



MATCHLINE A
 MATCHLINE B

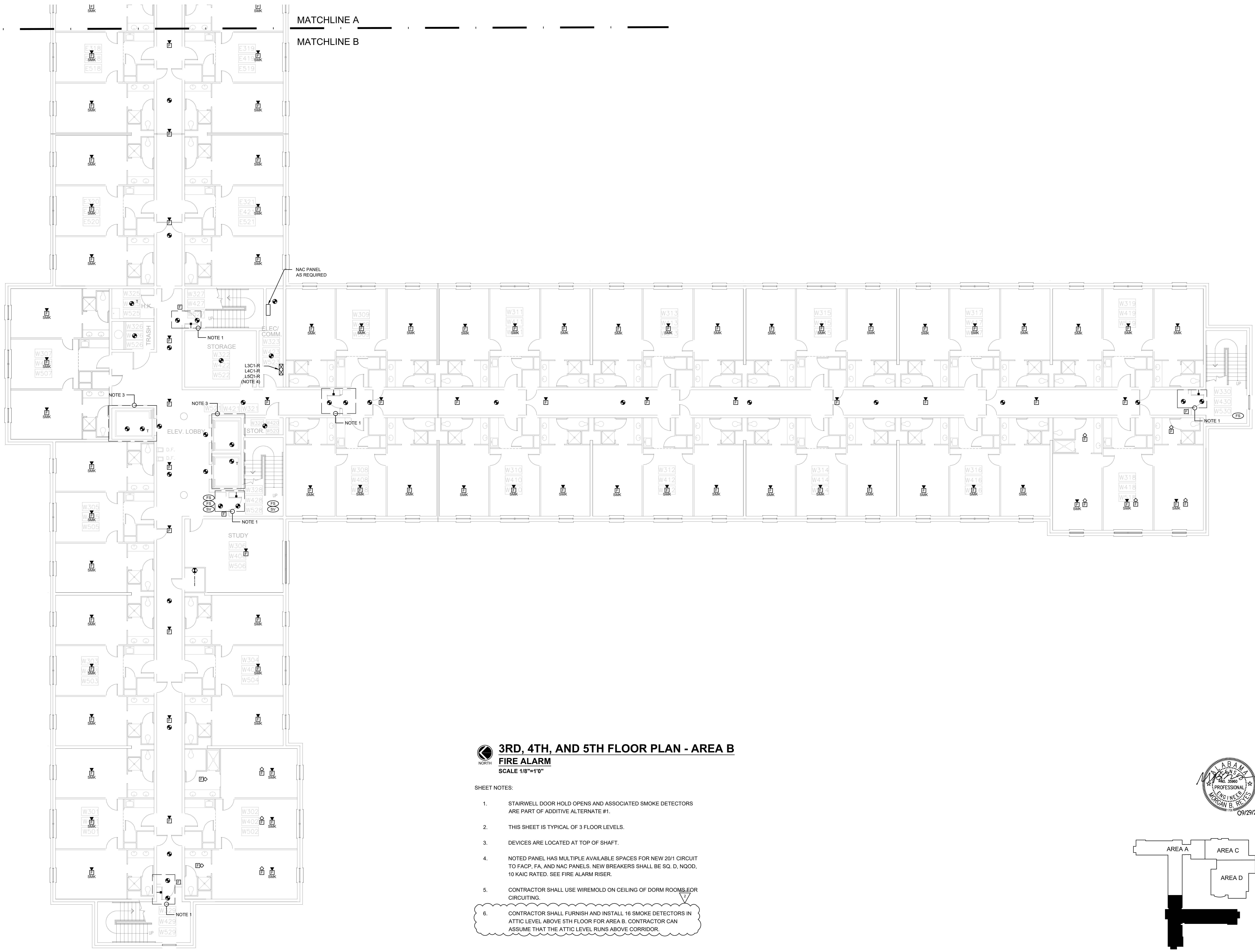
NO.	REVISION	DATE
1	ADDENDUM #2	09/29/23

DATE:	09/29/2023
JOB NUMBER:	26236.0
DRAWN BY:	BR
CHECKED BY:	MBR
DRAWING TITLE:	THIRD, FOURTH, & FIFTH FLOOR PLAN - AREA A - FIRE ALARM
DRAWING NO.:	E4.1



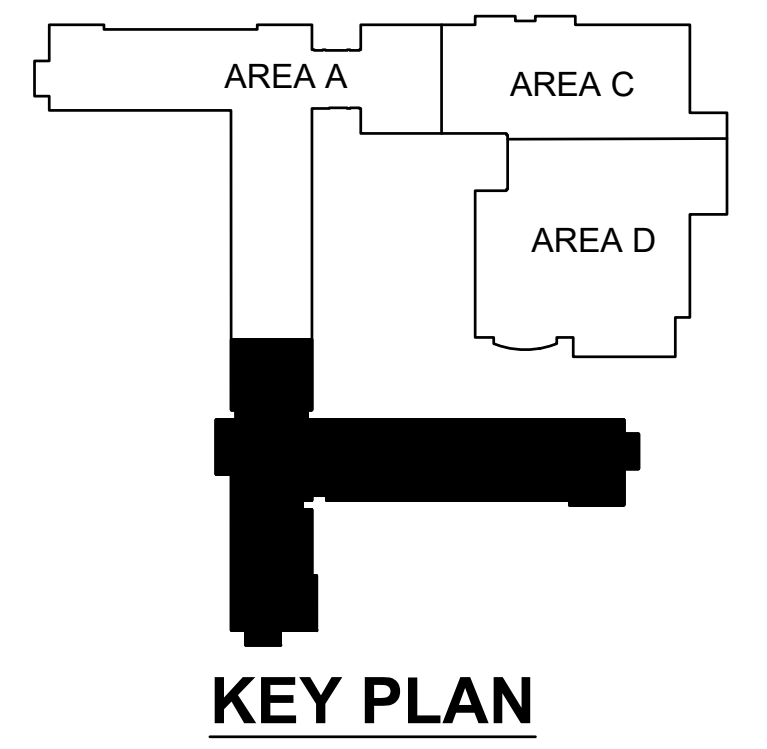
Hyde Engineering, Inc.
 1525 Piedmont Parkway, Suite 275 • Huntsville, AL 35801
 (256) 270-8013 • FAX (256) 962-9911 • info@hyde-eng.com

**NEW FIRE ALARM SYSTEM FOR ERNEST KNIGHT LIVING AND LEARNING COMPLEX
 ALABAMA A&M UNIVERSITY**



**3RD, 4TH, AND 5TH FLOOR PLAN - AREA B
 FIRE ALARM
 SCALE 1/8"=1'0"**

- SHEET NOTES:
1. STAIRWELL DOOR HOLD OPENS AND ASSOCIATED SMOKE DETECTORS ARE PART OF ADDITIVE ALTERNATE #1.
 2. THIS SHEET IS TYPICAL OF 3 FLOOR LEVELS.
 3. DEVICES ARE LOCATED AT TOP OF SHAFT.
 4. NOTED PANEL HAS MULTIPLE AVAILABLE SPACES FOR NEW 20/1 CIRCUIT TO FACP, FA, AND NAC PANELS. NEW BREAKERS SHALL BE SQ. D, NQDD, 10 KAIC RATED. SEE FIRE ALARM RISER.
 5. CONTRACTOR SHALL USE WIREMOLD ON CEILING OF DORM ROOMS FOR CIRCUITING.
 6. CONTRACTOR SHALL FURNISH AND INSTALL 16 SMOKE DETECTORS IN ATTIC LEVEL ABOVE 5TH FLOOR FOR AREA B. CONTRACTOR CAN ASSUME THAT THE ATTIC LEVEL RUNS ABOVE CORRIDOR.



NO.	REVISION	DATE
1	ADDENDUM #2	09/29/23

DATE:	08/28/2023
JOB NUMBER:	26236.0
DRAWN BY:	BR
CHECKED BY:	MBR

DRAWING TITLE:
 THIRD, FOURTH, & FIFTH FLOOR PLAN - AREA B - FIRE ALARM

DRAWING NO.:
 E4.2